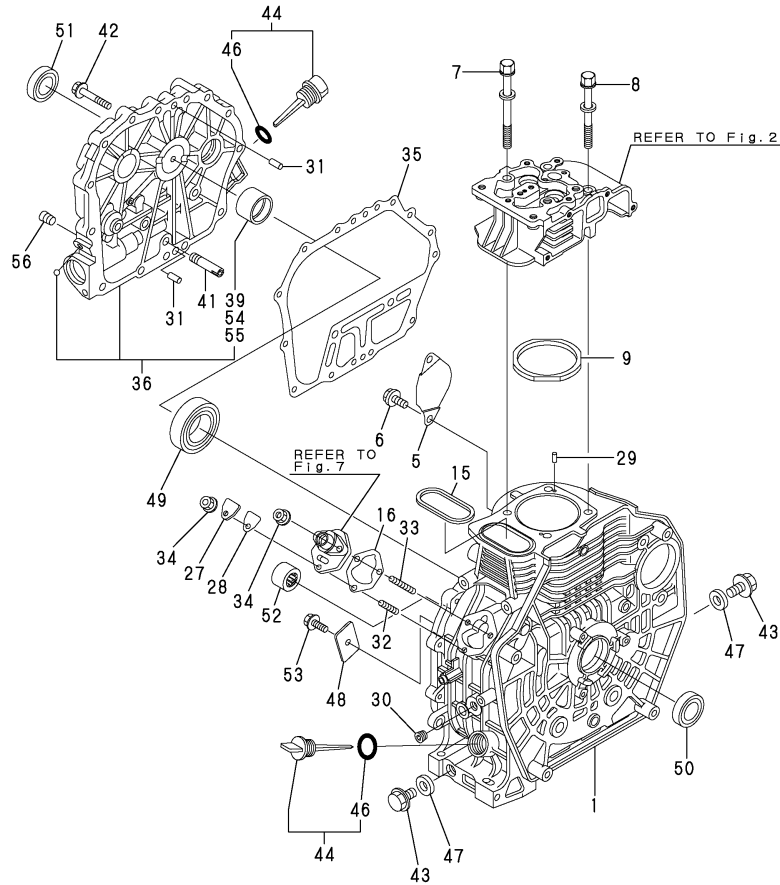


Fig.1. CYLINDER BLOCK



Y00R5950 1. CYLINDER BLOCK

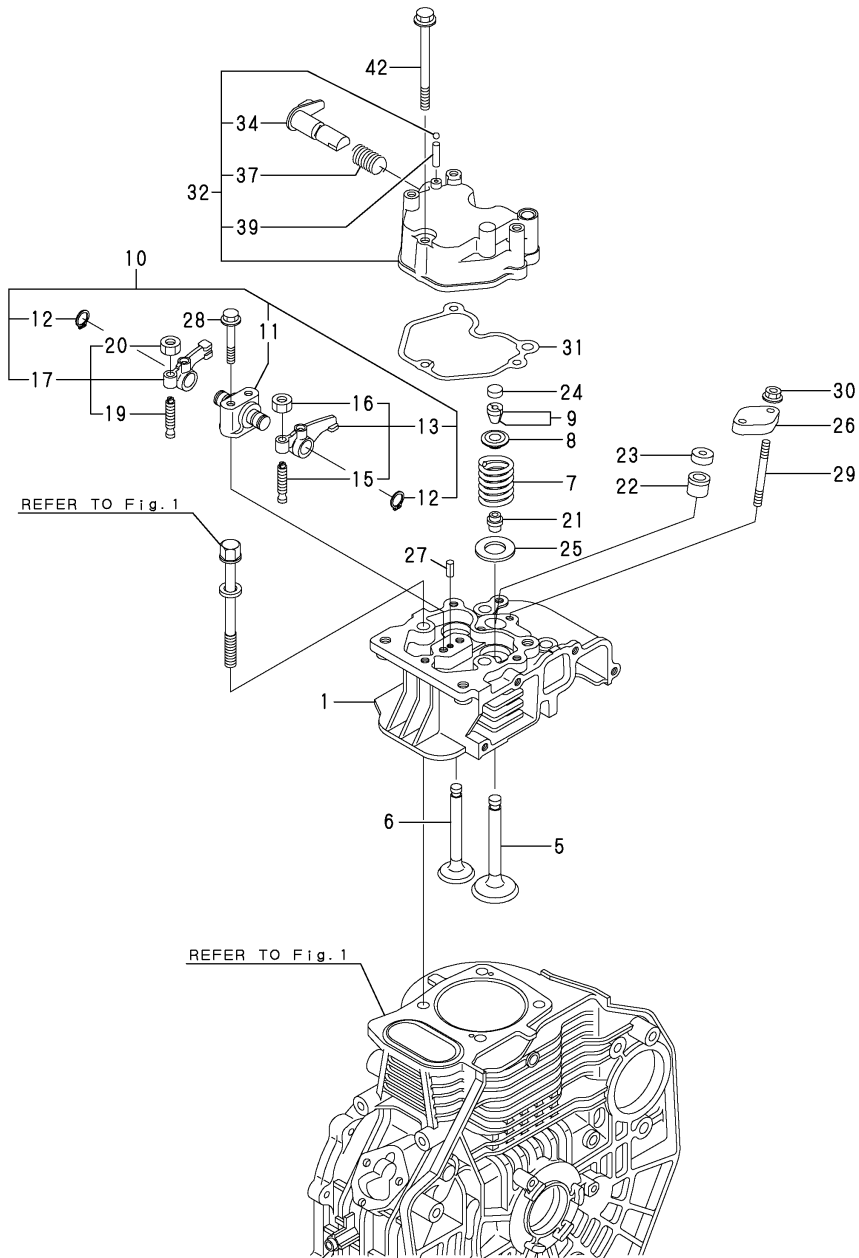
(A)=L70V6CF1T1AA (D)=
 (B)= (E)=
 (C)= (F)=

REF.	LEV.	PARTS NO.	DESCRIPTION	QTY						I	R
				(A)	(B)	(C)	(D)	(E)	(F)		
1	1	114210-01010	BLOCK ASSY, CYLINDER	1							
5	1	114399-01700	COVER, STARTER	1							
6	1	26106-100122	BOLT M10X 12 PLATED	2							
7	1	114210-01200	BOLT, CYL.HEAD A	2							
8	1	114210-01210	BOLT, CYL.HEAD B	2							
9	1	114395-01330	GASKET ASSY,CYL.HEAD	1							
15	1	114399-01380	O-RING	1							
16	1	114299-01800	SHIM SET	1							
27	1	114299-01830	COVER,(FO PUMP	1							
28	1	114250-01841	GASKET	1							
29	1	22312-040080	PIN 4X8,STRAIGHT	2							
30	1	23875-020000	PLUG PT1/4,STEEL	1							
31	1	114299-01600	PIN, 8X12	2							
32	1	26226-060182	STUD M 6X 18 PLATED	1							
33	1	26226-060222	STUD M 6X 22 PLATED	2							
34	1	26366-060002	NUT M 6	3							
35	1	114399-01410	GASKET, CRANK CASE	1							
36	1	114210-01450	COVER(E-D,CRANK CASE	1							
39	2	114350-02100	BEARING, MAIN	1							1
41	1	114299-35150	PIPE, L.O. INLET	1							
42	1	26106-080352	BOLT M 8X 35 PLATED	15							
43	1	114299-01690	PLUG, DRAIN 16	2							
44	1	114699-01760	CAP, W/LUB.OIL GAUGE	2							
46	2	114299-01950	O-RING	2							
47	1	22190-160002	SEAL WASHER 16S	2							
48	1	114299-02030	RETAINER	1							
49	1	114350-02113	BALL BEARING	1							
50	1	160110-02220	SEAL, OIL	1							
51	1	160110-02220	SEAL, OIL	1							
52	1	24162-152116	NEEDLE BEARING	1							
53	1	26106-080122	BOLT M 8X 12 PLATED	1							
54	1	114350-02200	MAIN BEARING US=0.25	1							2
55	1	114350-02210	MAIN BEARING US=0.50	1							3
56	1	23876-010000	PLUG PT1/8,SCREW	1							

Remarks
 (1)REPAIR PART.
 (2)UNDER SIZED(U.S.=0.25)PART.
 (3)UNDER SIZED(U.S.=0.50)PART.

(A)=L70V6CF1T1AA (D)=
 (B)= (E)=
 (C)= (F)=

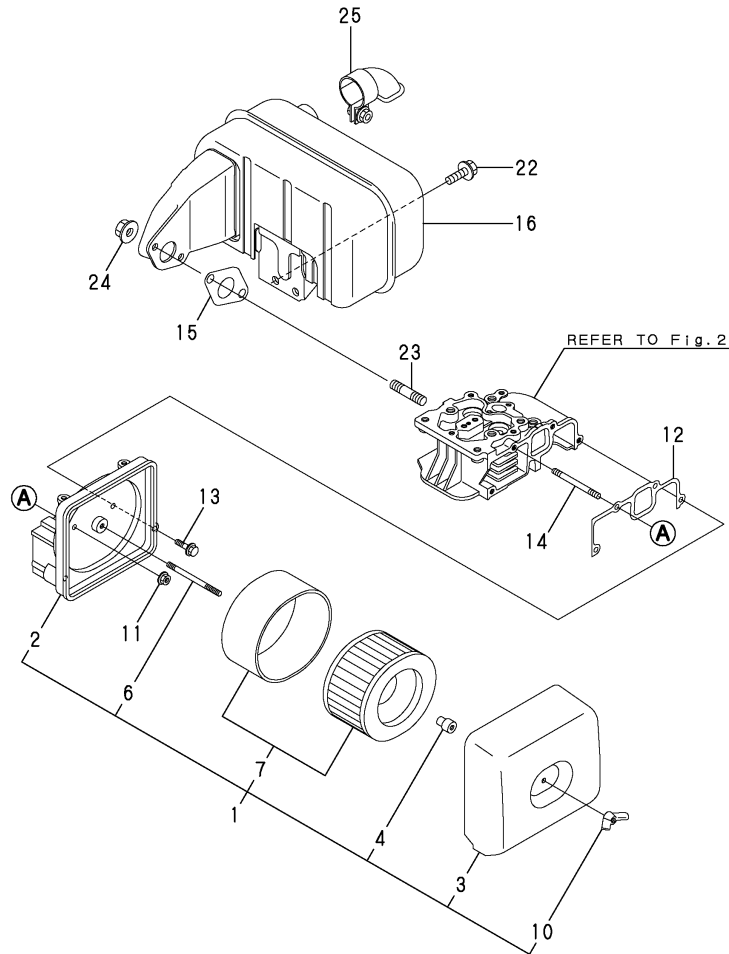
Fig.2. CYLINDER HEAD & BONNET



REF.	LEV.	PARTS NO.	DESCRIPTION	QTY						I	R
				(A)	(B)	(C)	(D)	(E)	(F)		
1	1	114210-11020	HEAD ASSY, CYLINDER	1							
5	1	114210-11100	VALVE, INTAKE	1							
6	1	114210-11110	VALVE, EXHAUST	1							
7	1	114210-11120	SPRING, VALVE	2							
8	1	114210-11180	RETAINER, SPRING	2							
9	1	114210-11930	COTTER ASSY	2							
10	1	114210-11250	SUPPORT ASSY, ROCKER	1							
11	2	114210-11260	SUPPORT, ROCKER ARM	1							
12	2	114210-11280	C TYPE RETAINING RIN	2							
13	2	114210-11650	ARM ASSY, INTAKE	1							
15	3	114299-11240	SCREW, ADJUSTING	1							
16	3	26856-060002	LOCK NUT 6	1							
17	2	114210-11660	ARM ASSY, EXHAUST	1							
19	3	114299-11240	SCREW, ADJUSTING	1							
20	3	26856-060002	LOCK NUT 6	1							
21	1	114350-11340	SEAL, VALVE STEM	2							
22	1	114771-11461	GASKET, NOZZLE	1							
23	1	114295-11470	SPACER, NOZZLE	1							
24	1	105010-11490	CAP, VALVE	2							
25	1	114299-11600	WASHER, VALVE SPRING	2							
26	1	114210-11900	RETAINER, NOZZLE	1							
27	1	22351-040008	SPRING PIN 4X 8	1							
28	1	26106-060402	BOLT M 6X 40 PLATED	2							
29	1	26226-060552	STUD M6X 55 PLATED	2							
30	1	26366-060002	NUT M 6	2							
31	1	114210-11310	GASKET, BONNET	1							
32	1	114210-11950	BONNET ASSY, HEAD	1							
34	2	114210-03590	SHAFT ASSY, DECOMP.	1							
37	2	114299-03640	SPRING, DECOMP.	1							
39	2	22312-030160	PARALLEL PIN 3X16	1							
42	1	26106-060552	BOLT M 6X 55 PLATED	3							

Fig.3. AIR CLEANER & MUFFLER

(A)=L70V6CF1T1AA (D)=
 (B)= (E)=
 (C)= (F)=

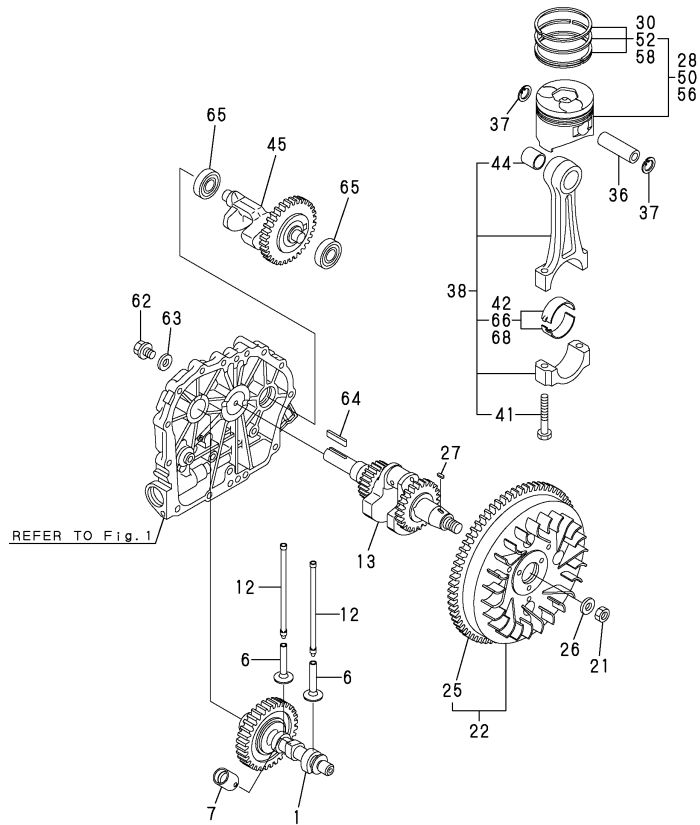


REF.	LEV.	PARTS NO.	DESCRIPTION	QTY						I	R
				(A)	(B)	(C)	(D)	(E)	(F)		
1	1	114210-12510	CLEANER ASSY, AIR	1							
2	2	114210-12020	BODY, AIR CLEANER	1							
3	2	114210-12520	COVER, AIR CLEANER	1							
4	2	114210-12560	NUT, WING	1							
6	2	114210-12580	STUD BOLT	1							
7	2	114210-12590	ELEMENT ASSY	1							
10	2	114210-12600	KNOCKING KNOB	1							
11	1	114299-12300	U-NUT	3							
12	1	114210-12210	GASKET, AIR CLEANER	1							
13	1	26106-060202	BOLT M 6X 20 PLATED	1							
14	1	26226-060302	STUD M 6X 30	3							
15	1	114299-13200	GASKET, MUFFLER	1							
16	1	114399-13520	MUFFLER ASSY	1							
22	1	26106-060142	BOLT M 6X 14 PLATED	2							
23	1	26216-080182	STUD M 8X 18 PLATED	2							
24	1	26366-080002	NUT M 8	2							
25	1	114299-13800	DEFLECTOR, (EXH	1							

Fig.4. CRANKSHAFT,PISTON & CAMSHAFT

Y00R5950 4. CRANKSHAFT,PISTON & CAMSHAFT

(A)=L70V6CF1T1AA (D)=
 (B)= (E)=
 (C)= (F)=



REF.	LEV.	PARTS NO.	DESCRIPTION	QTY						I	R
				(A)	(B)	(C)	(D)	(E)	(F)		
1	1	714210-14580	CAMSHAFT ASSY	1							
6	1	114210-14200	TAPPET	2							
7	1	114210-14300	TAPPET ASSY, ROLLER	1							
12	1	114210-14400	ROD ASSY, PUSH	2							
13	1	714210-21700	CRANKSHAFT(E-D ASSY)	1							
21	1	114299-21220	NUT	1							
22	1	114399-21590	FLYWHEEL ASSY, DE	1							
25	2	114362-21600	GEAR, RING	1							
26	1	114299-21550	WASHER, FLYWHEEL	1							
27	1	22512-040120	KEY 4X 12	1							
28	1	714210-22720	PISTON W/RINGS (D)	1							
30	2	714870-22502	RING SET, PISTON	1							
36	1	114399-22300	PISTON PIN	1							
37	1	22252-000210	CIRCLIP 21	2							
38	1	714210-23700	ROD ASSY, CONNECTING	1							
41	2	118200-23200	BOLT,ROD	2							
42	2	114210-23600	BEARING, CRANK PIN	1							
44	2	114380-23100	BUSH, PISTON PIN	1							
45	1	714210-28510	SHAFT ASSY, BALANCER	1							
50	1	714210-22620	PISTON W/RING OS=.25	1							1
52	2	714870-22542	RING SET O.S.=0.25	1							1
56	1	714210-22580	PISTON W/RING OS=0.5	1							2
58	2	714870-22552	RING SET O.S.=0.50	1							2
62	1	160842-21250	BOLT 7/16-20UNF	1							
63	1	160842-21260	WASHER	1							
64	1	160842-21150	KEY 6.3X50	1							
65	1	24101-062030	BALL BEARING	2							
66	1	114210-23610	BEARING,PIN(U.S.=0.25)	1							3
68	1	114210-23620	BEARING,PIN(U.S.=0.50)	1							4

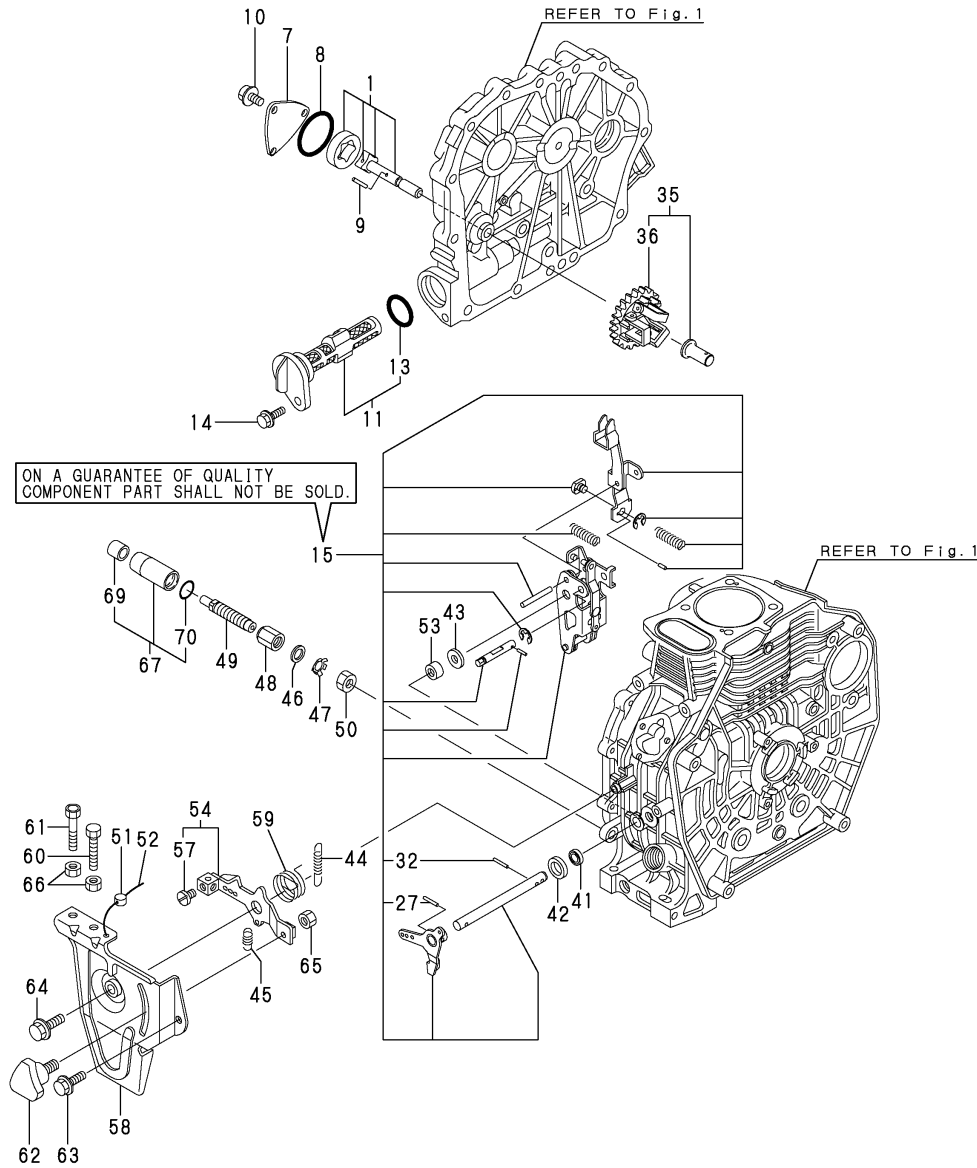


Remarks

- (1)OVER SIZED(O.S.=0.25)PART.
- (2)OVER SIZED(O.S.=0.50)PART.
- (3)UNDER SIZED(U.S.=0.25)PART.
- (4)UNDER SIZED(U.S.=0.50)PART.

(A)=L70V6CF1T1AA (D)=
 (B)= (E)=
 (C)= (F)=

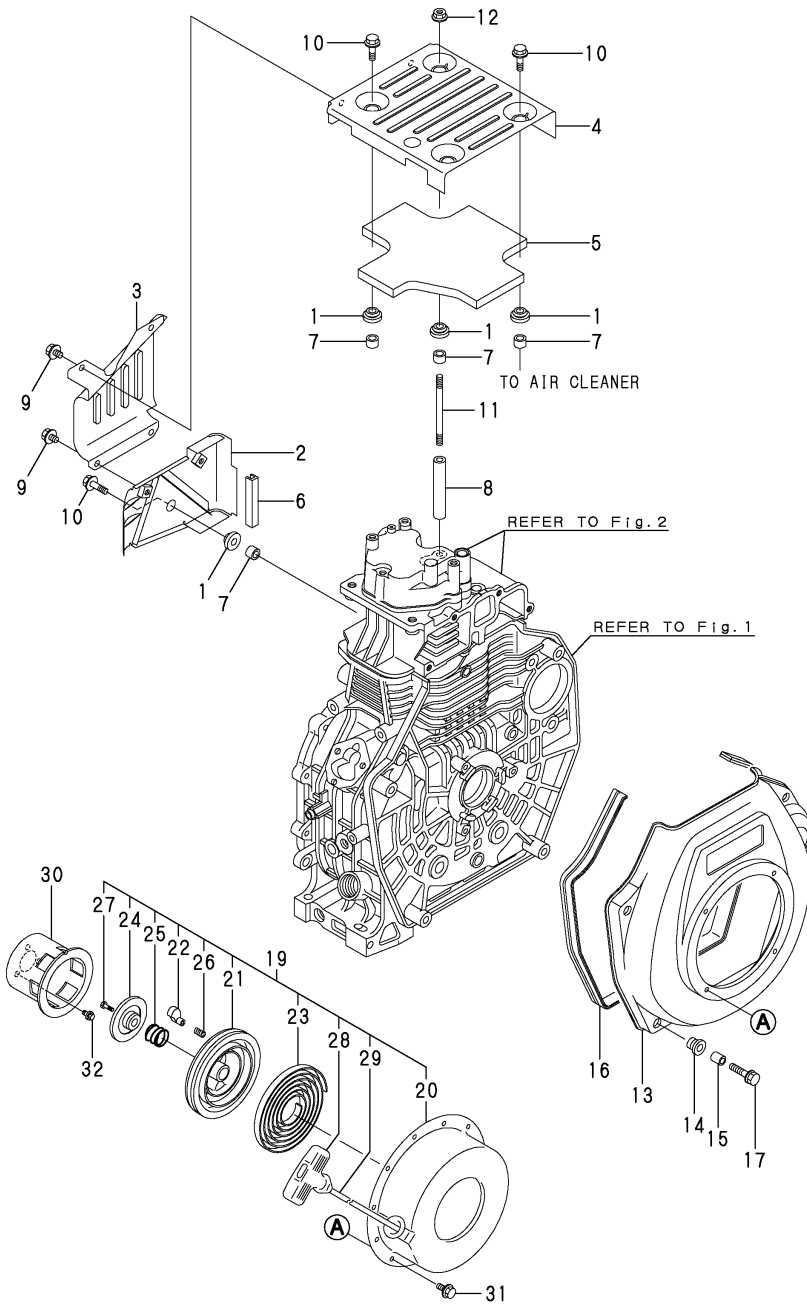
Fig.5. LUB.OIL PUMP & GOVERNOR



REF.	LEV.	PARTS NO.	DESCRIPTION	QTY						I	R
				(A)	(B)	(C)	(D)	(E)	(F)		
1	1	114250-32010	PUMP ASSY, LUB.OIL	1							
7	1	114299-32070	COVER, LUB. OIL PUMP	1							
8	1	114299-32570	O-RING, COVER	1							
9	1	22312-030160	PARALLEL PIN 3X16	1							
10	1	26106-060122	BOLT M 6X 12 PLATED	3							
11	1	114299-35110	FILTER CMP, LUB.OIL	1							
13	2	24341-000224	O-RING 1A S-22.4	1							
14	1	26106-060162	BOLT M 6X 16 PLATED	1							
15	1	114210-61500	LEVER ASSY, GOVERNOR	1							
27	2	22322-030200	TAPER PIN 3X20	1							
32	2	22322-030200	TAPER PIN 3X20	1							
35	1	714210-61700	GOVERNOR ASSY	1							
36	2	114210-61290	WEIGHT ASSY,GOVERNOR	1							
41	1	114299-61600	SEAL, OIL	1							
42	1	114770-61610	WASHER, THRUST	1							
43	1	114299-61190	WASHER, GOVERNOR	1							
44	1	114210-66010	SPRING, REGULATOR	1							
45	1	114299-66200	SPRING, RETURN	1							
46	1	114771-61810	WASHER, PLAIN 14	1							
47	1	114771-61830	PLATE	1							
48	1	114295-61940	NUT	1							
49	1	114771-66600	LIMITER ASSY, FUEL	1							
50	1	114771-66690	NUT M14	1							
51	1	135210-61090	LEAD	1							
52	1	22451-060000	WIRE 0.6	1							
53	1	114770-61520	BEARING,NEEDLE	2							
54	1	114210-66060	HANDLE ASY,REGULATOR	1							
57	2	26117-050089	BOLT M 5X 8 PLATED	1							
58	1	114210-66100	BRACKET, REGULATOR	1							
59	1	114299-66250	SPRING, RETURN	1							
60	1	114299-66440	BOLT, ADJUSTING	1							
61	1	114299-67080	BOLT, ADJUSTING	1							
62	1	160725-78350	KNOB (W/M6X15)	1							
63	1	26106-060142	BOLT M 6X 14 PLATED	1							
64	1	26106-060202	BOLT M 6X 20 PLATED	1							
65	1	26347-060002	U-NUT M 6	1							
66	1	26757-060002	NUT M 6	2							
67	1	114771-61890	PROTECTOR CMP	1							
69	2	114771-61960	SPACER	1							
70	2	24311-000180	O-RING 1A P-18.0	1							

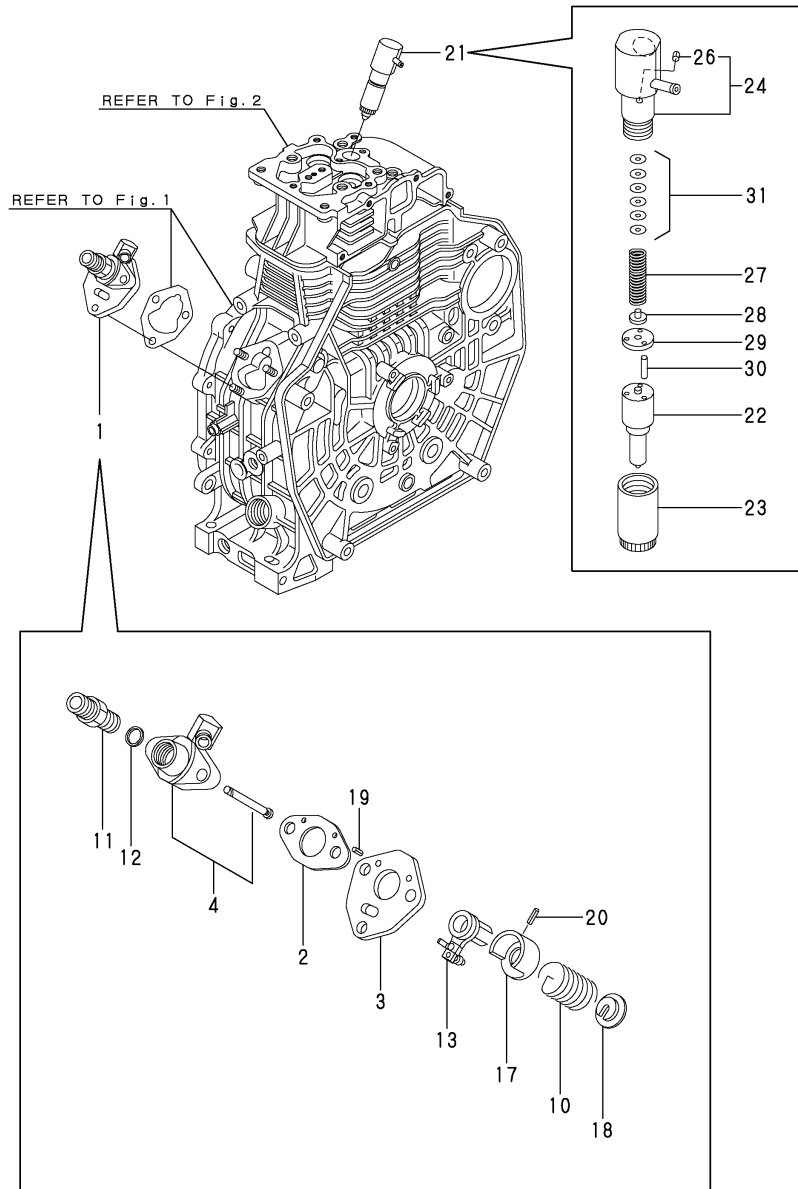
(A)=L70V6CF1T1AA (D)=
 (B)= (E)=
 (C)= (F)=

Fig.6. COOLING & STARTING DEVICE



REF.	LEV.	PARTS NO.	DESCRIPTION	QTY						I	R
				(A)	(B)	(C)	(D)	(E)	(F)		
1	1	114299-45220	GROMMET, TANK	5							
2	1	114210-45260	COVER B, SIDE (13)	1							
3	1	114210-45270	COVER A, SIDE (13)	1							
4	1	114210-45300	COVER, TOP(BLACK)(13)	1							
5	1	114210-45310	DAMPER	1							
6	1	114399-45320	RUBBER, SEAL	1							
7	1	114399-45340	COLLAR, CYL. COVER	5							
8	1	114210-45350	SPACER, TOP COVER	1							
9	1	26106-060082	BOLT M 6X 8 PLATED	4							
10	1	26106-060202	BOLT M 6X 20 PLATED	4							
11	1	26226-060852	STUD, BOLT 6 X 85	1							
12	1	26366-060002	NUT M 6	1							
13	1	114210-45100	FAN CASE(SILVER)(17)	1							
14	1	114299-45300	RUBBER, CUSHION	4							
15	1	114299-45310	COLLAR, FAN CASE	4							
16	1	114299-45330	SEAL, FAN CASE	1							
17	1	114299-45350	BOLT, FAN CASE	4							
19	1	114399-76250	RECOIL STARTER(D)ASY	1							
20	2	114399-76510	CASE, STARTER	1							
21	2	114399-76520	REEL, RECOIL	1							
22	2	114399-76530	RATCHET	1							
23	2	114399-76540	SPRING, SPIRAL	1							
24	2	114399-76550	COVER, RATCHET	1							
25	2	114399-76560	SPRING	1							
26	2	114399-76570	SPRING, RETURN	1							
27	2	114399-76580	SCREW	1							
28	2	114399-76620	KNOB, STARTER	1							
29	2	114399-76630	ROPE, STARTER	1							
30	1	114399-76590	PULLEY, STARTER	1							
31	1	26106-060082	BOLT M 6X 8 PLATED	4							
32	1	26106-060122	BOLT M 6X 12 PLATED	3							

Fig.7. FUEL INJECTION PUMP

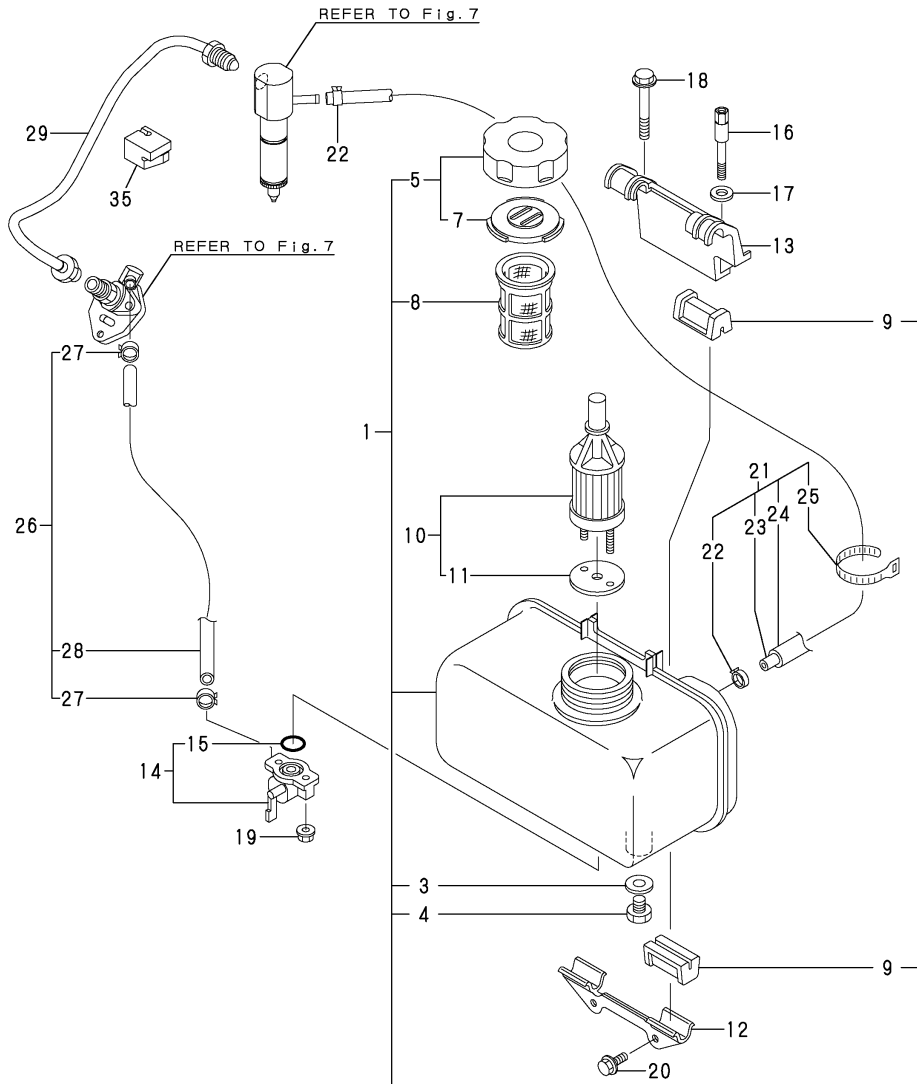


Y00R5950 7. FUEL INJECTION PUMP

(A)=L70V6CF1T1AA (D)=
 (B)= (E)=
 (C)= (F)=

REF.	LEV.	PARTS NO.	DESCRIPTION	QTY						I	R
				(A)	(B)	(C)	(D)	(E)	(F)		
1	1	714210-51100	PUMP ASSY, F.INJECT.	1							
2	2	105546-51020	GASKET	1							
3	2	114250-51080	PLATE	1							
4	2	114210-51200	BODY, F.I. PUMP	1							
10	2	114250-51160	SPRING	1							
11	2	114210-51300	VALVE ASSY, DELIVERY	1							
12	2	124550-51350	GASKET, DELIVERY	1							
13	2	114250-51600	LEVER ASSY, CONTROL	1							
17	2	114250-51640	SEAT (A), SPRING	1							
18	2	114250-51650	SEAT (B), SPRING	1							
19	2	22351-020006	SPRING PIN 2X 6	2							
20	2	22351-030008	SPRING PIN 3X 8	1							
21	1	714210-53100	INJECTOR-NOZZLE,ASSY	1							
22	2	114210-53000	NOZZLE ASSY	1							
23	2	114210-53080	NUT,NOZZLE	1							
24	2	114210-53100	HOLDER ASSY,NOZZLE	1							
26	3	114210-53330	PIN	1							
27	2	114210-53120	SPRING,NOZZLE	1							
28	2	114210-53130	SEAT,SPRING	1							
29	2	114210-53140	SPACER,VALVE STOP	1							
30	2	114210-53210	PIN	2							
31	2	114210-53400	SHIM SET	1							

Fig.8. FUEL TANK & FUEL PIPE



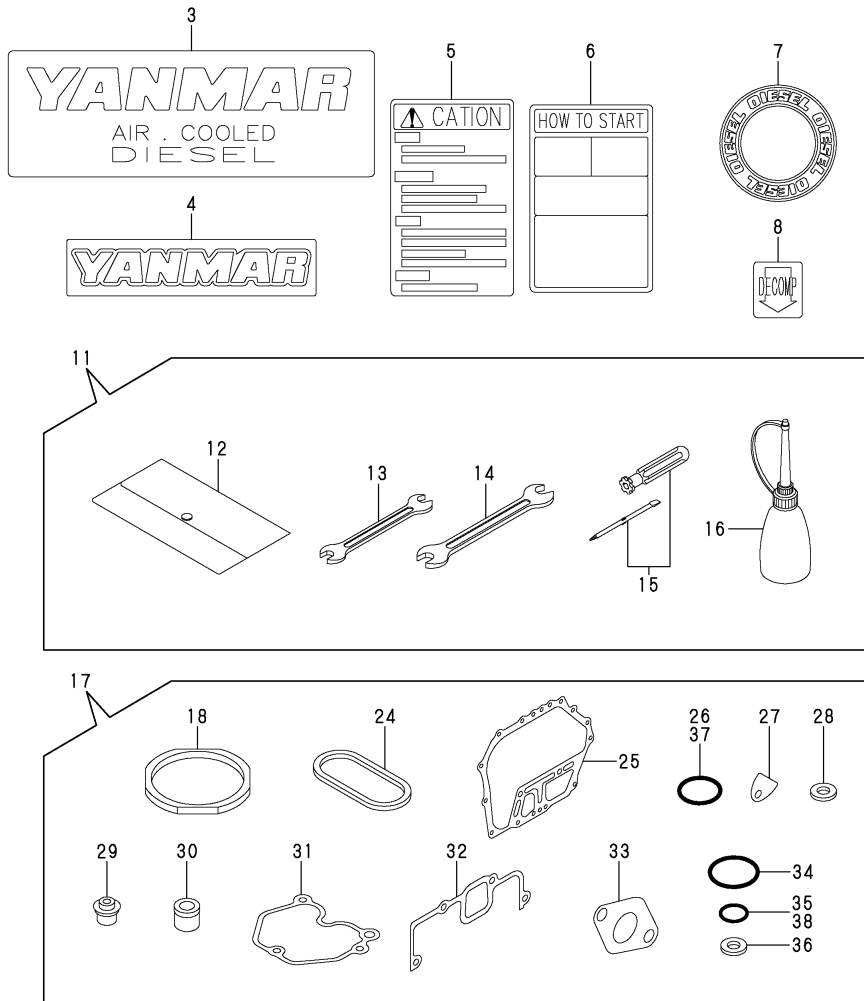
Y00R5950 8. FUEL TANK & FUEL PIPE

(A)=L70V6CF1T1AA (D)=
 (B)= (E)=
 (C)= (F)=

REF.	LEV.	PARTS NO.	DESCRIPTION	QTY						I	R
				(A)	(B)	(C)	(D)	(E)	(F)		
1	1	714210-55700	TANK,FUEL(BLACK)(13)	1							
3	3	23414-080000	GASKET 8, ROUND	1							
4	3	105300-55080	PLUG, DRAIN	1							
5	2	114288-55041	CAP ASSY, FUEL TANK	1							
7	3	114288-55081	VALVE	1							
8	2	114299-55100	FILTER, FUEL OIL	1							
9	2	114250-55201	DAMPER, FUEL TANK	4							
10	1	114250-55121	FILTER, FUEL OIL	1							
11	2	114250-55130	GASKET	1							
12	1	114210-55210	STAY A, FUEL TANK	1							
13	1	114210-55230	STAY B, FUEL TANK	1							
14	1	114250-55301	COCK	1							
15	2	24341-000150	O-RING 1A S-15.0	1							
16	1	114210-55810	BOLT, LIFTING	1							
17	1	22117-080000	WASHER 8	1							
18	1	26106-080452	BOLT M 8X 45 PLATED	1							
19	1	26366-060002	NUT M 6	2							
20	1	26106-060162	BOLT M 6X 16 PLATED	2							
21	1	114210-59300	PIPE ASSY, RETURN	1							
22	2	124722-59050	CLAMP 9	2							
23	2	114650-59060	PIPE, FUEL RETURN	1							
24	2	114652-59310	TUBE, PROTECT	1							
25	2	121750-59890	CLAMP 140	1							
26	1	114770-59030	PIPE ASSY, FUEL OIL	1							
27	2	114270-59010	CLIP,HOSE	2							
28	2	114268-59061	PIPE, FUEL OIL	1							
29	1	114210-59800	PIPE, FUEL INJECTION	1							
35	1	114210-59850	SUPPORT, INJ. PIPE	1							

Fig.9. TOOL,LABEL & GASKET SET

(A)=L70V6CF1T1AA (D)=
 (B)= (E)=
 (C)= (F)=



REF.	LEV.	PARTS NO.	DESCRIPTION	QTY						I	R
				(A)	(B)	(C)	(D)	(E)	(F)		
3	1	114299-07100	LABEL, AIR COOLED	1							
4	1	114299-07110	LABEL, YANMAR	1							
5	1	114299-07120	LABEL, CAUTION	1							
6	1	114299-07140	LABEL, HOW TO START	1							
7	1	114299-07160	LABEL, DIESEL	1							
8	1	114210-07200	LABEL, DECOMPRESSION	1							
11	1	114299-92590	TOOL ASSY	1							
12	2	114299-92600	TOOL BAG	1							
13	2	114299-92710	SPANNA	1							
14	2	114299-92720	SPANNA	1							
15	2	114299-92730	DRIVER	1							
16	2	114299-92740	FITTING, FUEL	1							
17	1	714210-92600	GASKET SET	1							1
18	2	114395-01330	GASKET ASSY,CYL.HEAD	1							
24	2	114399-01380	O-RING	1							
25	2	114399-01410	GASKET, CRANK CASE	1							
26	2	114299-01950	O-RING	2							
27	2	114250-01841	GASKET	1							
28	2	22190-160002	SEAL WASHER 16S	2							
29	2	114350-11340	SEAL, VALVE STEM	2							
30	2	114771-11461	GASKET, NOZZLE	1							
31	2	114210-11310	GASKET, BONNET	1							
32	2	114210-12210	GASKET, AIR CLEANER	1							
33	2	114299-13200	GASKET, MUFFLER	1							
34	2	114299-32570	O-RING, COVER	1							
35	2	24341-000100	O-RING 1A S-10.0	1							
36	2	23414-080000	GASKET 8, ROUND	1							
37	2	24341-000224	O-RING 1A S-22.4	1							
38	2	24341-000150	O-RING 1A S-15.0	1							

Remarks
 (1)OPTIONAL